

Revisions			216643	A	
LAL	Rev.	Description	Chk	Date	Approved
	A	ENGRG RELEASE	Rf	11-4-77	R. Freeman

**ENGINEERING  
RELEASE**

THIS DOCUMENT CONTAINS 14 SHEETS.

Dist Code **SPG**

<p>These drawings and specifications, and the data contained therein, are the exclusive property of Xerox Corporation and/or Rank Xerox, Ltd. issued in strict confidence and shall not, without the prior written permission of Xerox Corporation or Rank Xerox, Ltd., be reproduced, copied or used for any purpose whatsoever, except the manufacture of articles Xerox Corporation or Rank Xerox, Ltd.</p>	Notes Unless Specified	Drawn <i>M. Schmitt</i> 11-10-77	Xerox Corporation El Segundo, California		
	<p>1. Tolerances .XX ±.03      Angular ±½° .XXX ±.010</p> <p>2. Break All Sharp Edges .010 Approx.</p> <p>3. Mach. Surfaces <input checked="" type="checkbox"/></p> <p>4. All Dim. in Inches</p>	Check	<p>Title</p> <p style="text-align: center;"><b>ASSEMBLY, PRINTED WIRING- GRAM (EXTENDED MEMORY)</b></p>		
		Appr. <i>R. Freeman</i>			
		Material			
Model No. First Use	Finish	Code Ident.	Size	Dwg. No.	Change Letter
Next Assy. First Use		<b>18338</b>	<b>A</b>	<b>216643</b>	
<b>ALTO II</b>		Scale	Do Not Scale Drawing		Sheet <b>1</b> OF <b>0F</b>

NOTES: UNLESS OTHERWISE SPECIFIED

1. MAKE FROM ASSY, PRINTED WIRING - CRAM, P/N 216363 REV C (ITEM 1)
2. ADD JUMPER WIRE FROM U46-7 TO PIN 116.  
                                   U83-7            PIN 117.  
                                   U59-7            PIN 118.  
                                   U47-7            PIN 119.  
       ADD JUMPER WIRE FROM U71-7 TO PIN 120.

- ③ RUBBER STAMP "ASSY 216643" .12 HIGH, WHITE CHARACTERS.
- ④ RUBBER STAMP "EXTN MEM." .12 HIGH, WHITE CHARACTERS.

These drawings and specifications, and the data contained therein, are the exclusive property of Xerox Corporation and/or Rank Xerox, Ltd. issued in strict confidence and shall not, without the prior written permission of Xerox Corporation or Rank Xerox, Ltd., be reproduced, copied or used for any purpose whatsoever, except the manufacture of articles for Xerox Corporation or Rank Xerox, Ltd.

Title  
 ASSY, PRINTED WIRING-  
 CRAM  
 (EXTENDED MEMORY)

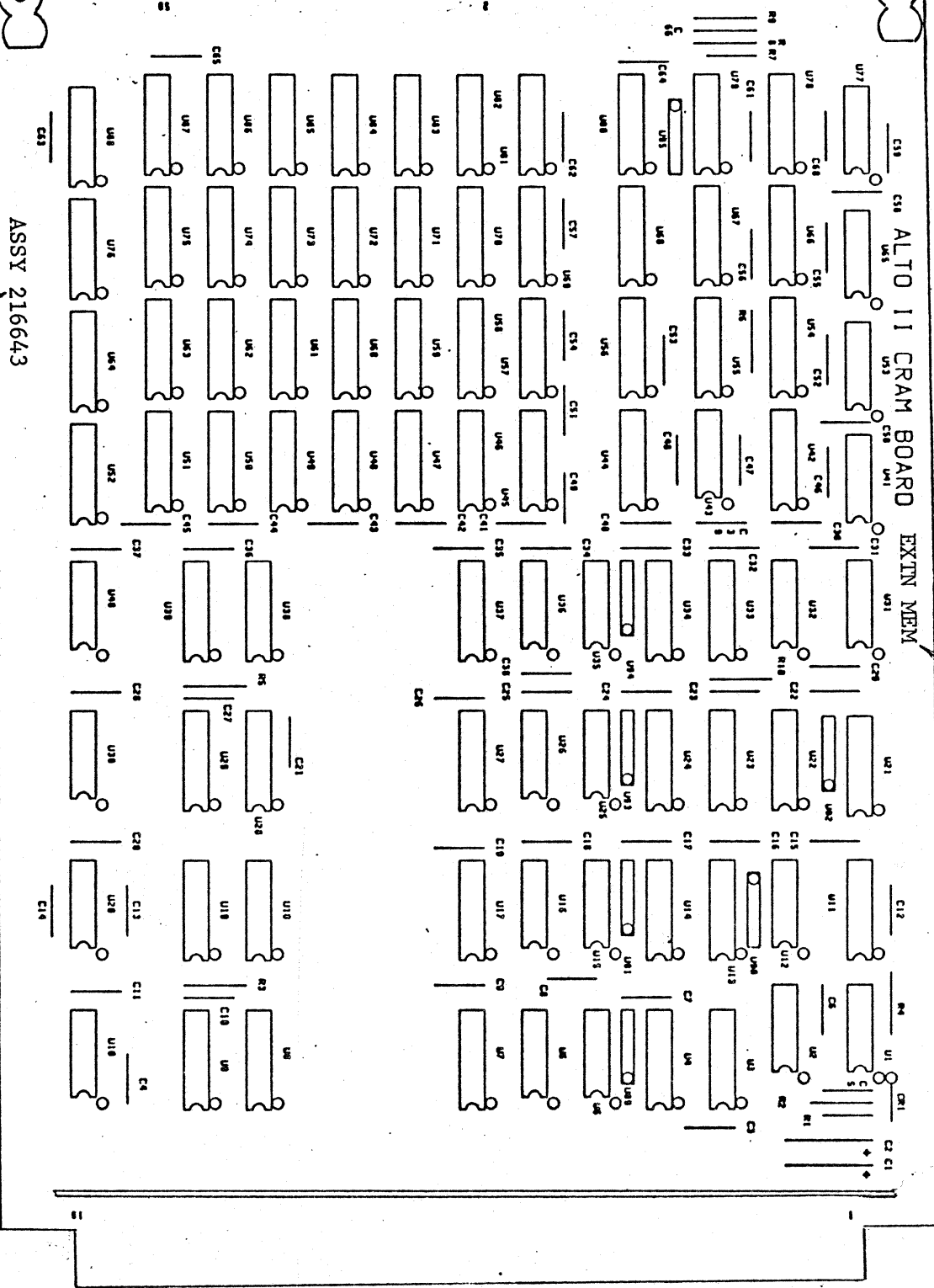
Xerox Corporation  
 El Segundo, California

**XEROX**

216643

A

Sheet 2 of



ASSY 216643

3

1

4

(EXTN MEM)

These drawings and specifications, and the data contained therein, are the exclusive property of Xerox Corporation and/or Rank Xerox, Ltd. issued in strict confidence and shall not, without the prior written permission of Xerox Corporation or Rank Xerox, Ltd., be reproduced, copied or used for any purpose whatsoever, except the manufacture of articles for Xerox Corporation or Rank Xerox, Ltd.

Title  
 ASSY, PRINTED WIRING-  
 CRAM  
 (EXTENDED MEMORY)

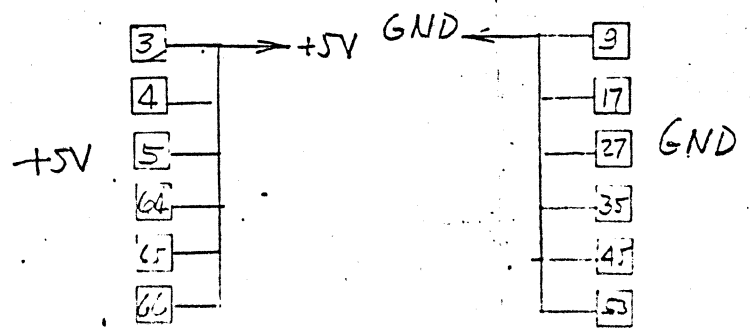
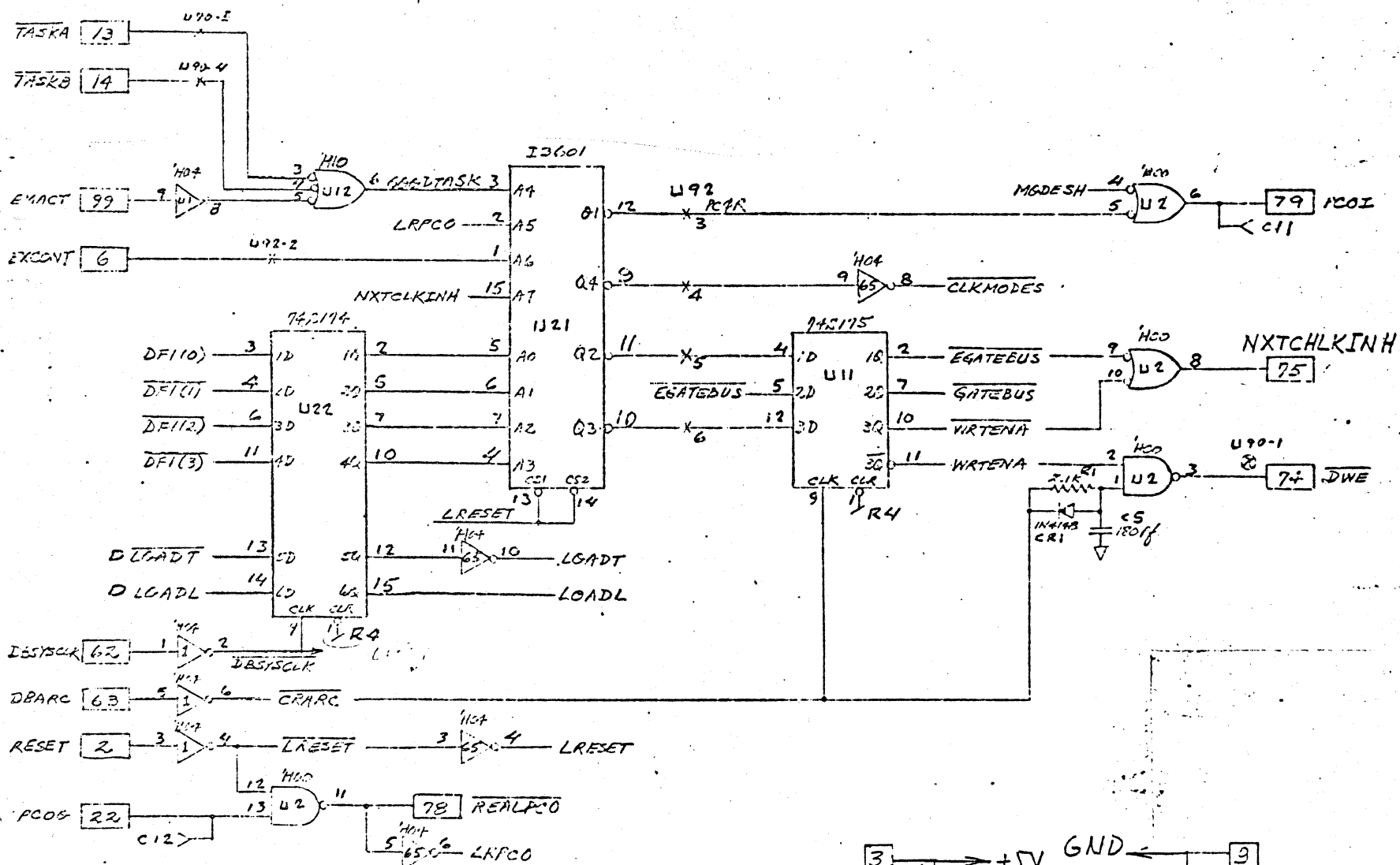
Xerox Corporation  
 El Segundo, California

XEROX

216643      A

Sheet      3      Of

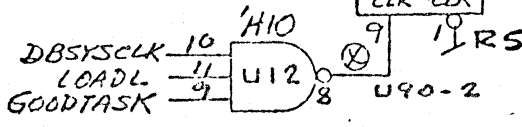
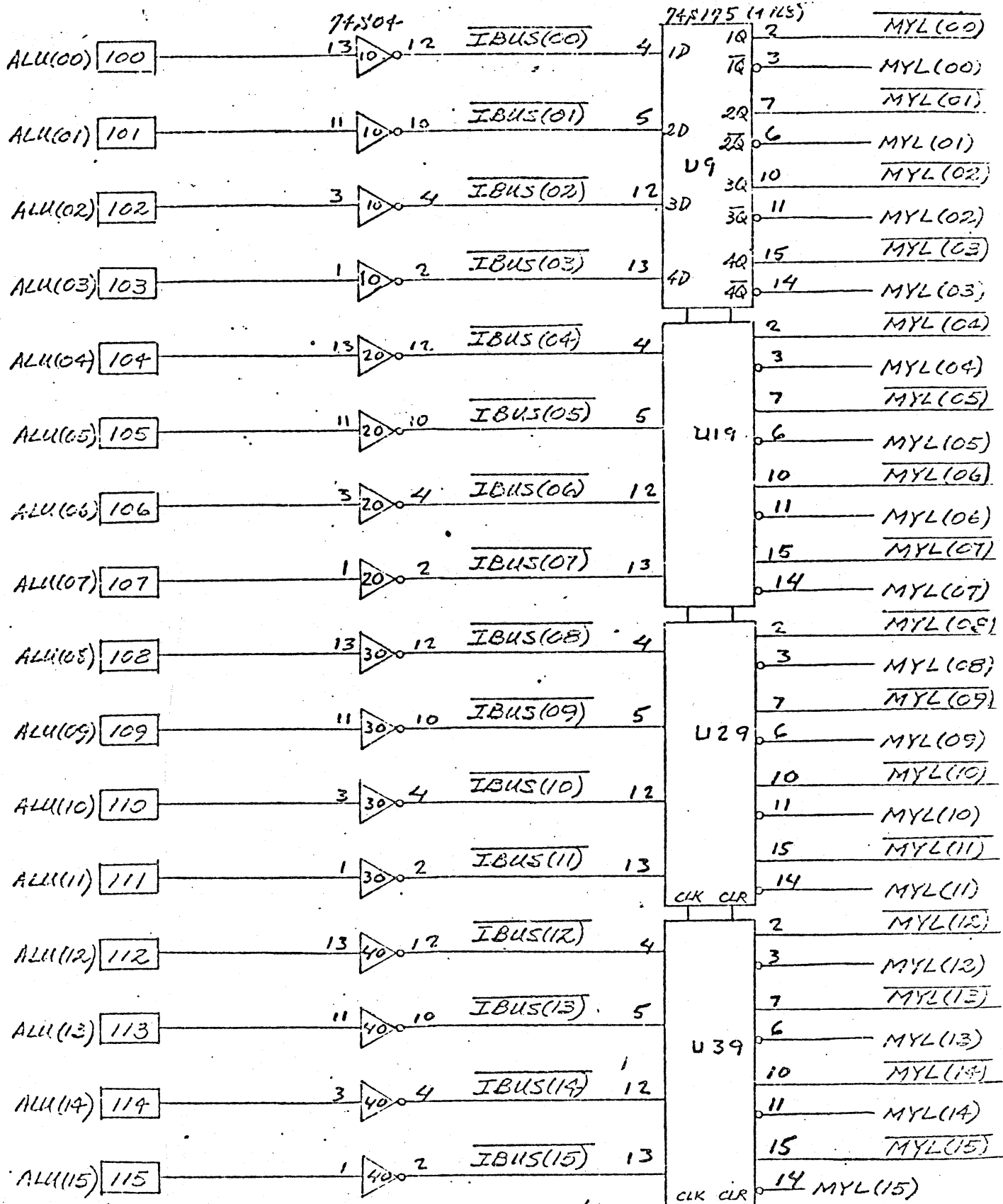




These drawings and specifications, and the data contained therein, are the exclusive property of Xerox Corporation and/or Rank Xerox, Ltd. Issued in strict confidence and shall not, without the prior written permission of Xerox Corporation or Rank Xerox, Ltd., be reproduced, copied or used for any purpose whatsoever, except the manufacture of articles for Xerox Corporation or Rank Xerox, Ltd.

Title  
ASSY, PRINTED WIRING-  
GRAM  
(EXTENDED MEMORY)

Xerox Corporation  
El Segundo, California  
**XEROX**  
216643  
A  
Sheet 5 of

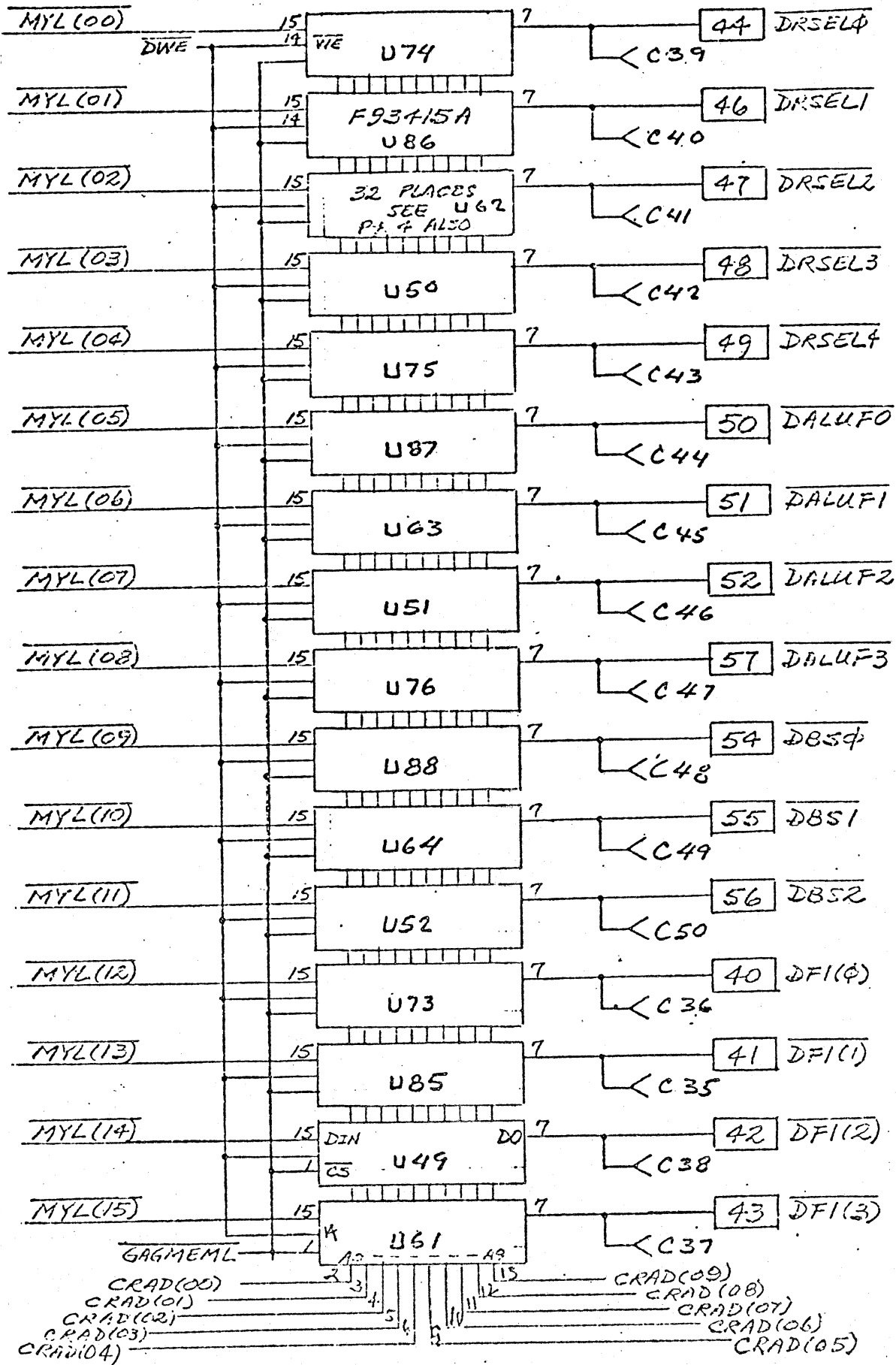


These drawings and specifications, and the data contained therein, are the exclusive property of Xerox Corporation and/or Rank Xerox, Ltd. issued in strict confidence and shall not, without the prior written permission of Xerox Corporation or Rank Xerox, Ltd., be reproduced, copied or used for any purpose whatsoever, except the manufacture of articles for Xerox Corporation or Rank Xerox, Ltd.

Title  
 ASSY, PRINTED WIRING-CRAM  
 (EXTENDED MEMORY)

Xerox Corporation  
 El Segundo, California  
 216643  
 Sheet 6 of A

**XEROX**



These drawings and specifications, and the data contained therein, are the exclusive property of Xerox Corporation and/or Rank Xerox, Ltd. issued in strict confidence and shall not, without the prior written permission of Xerox Corporation or Rank Xerox, Ltd., be reproduced, copied or used for any purpose whatsoever, except the manufacture of articles for Xerox Corporation or Rank Xerox, Ltd.

Title  
 ASSY, PRINTED WIRING-  
 GRAM  
 (EXTENDED MEMORY)

Xerox Corporation  
 El Segundo, California

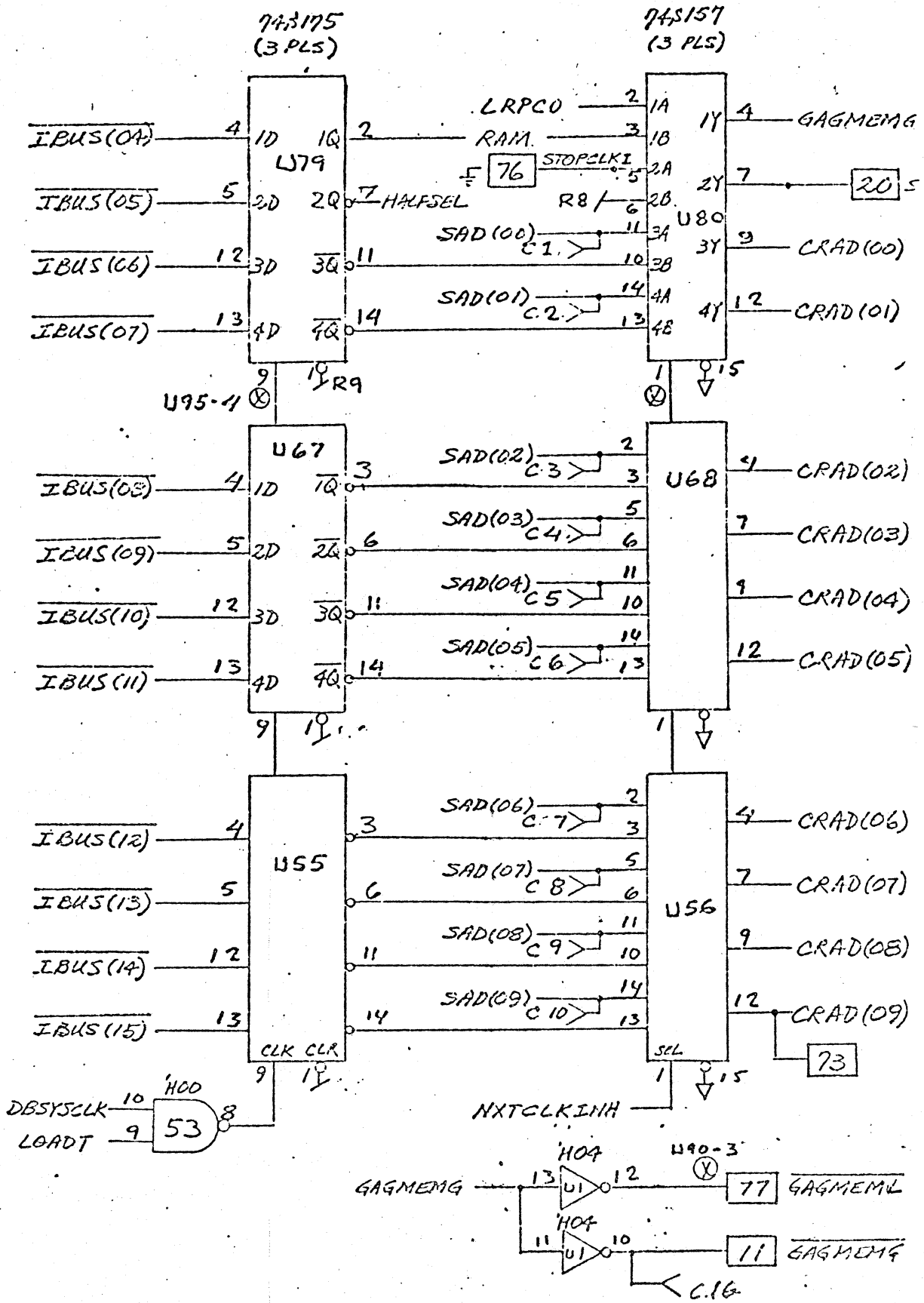
**XEROX**

216643

A

Sheet

7 of



These drawings and specifications, and the data contained therein, are the exclusive property of Xerox Corporation and/or Rank Xerox, Ltd. issued in strict confidence and shall not, without the prior written permission of Xerox Corporation or Rank Xerox, Ltd., be reproduced, copied or used for any purpose whatsoever, except the manufacture of articles for Xerox Corporation or Rank Xerox, Ltd.

Title  
 ASSY, PRINTED WIRING-  
 GRAM  
 (EXTENDED MEMORY)

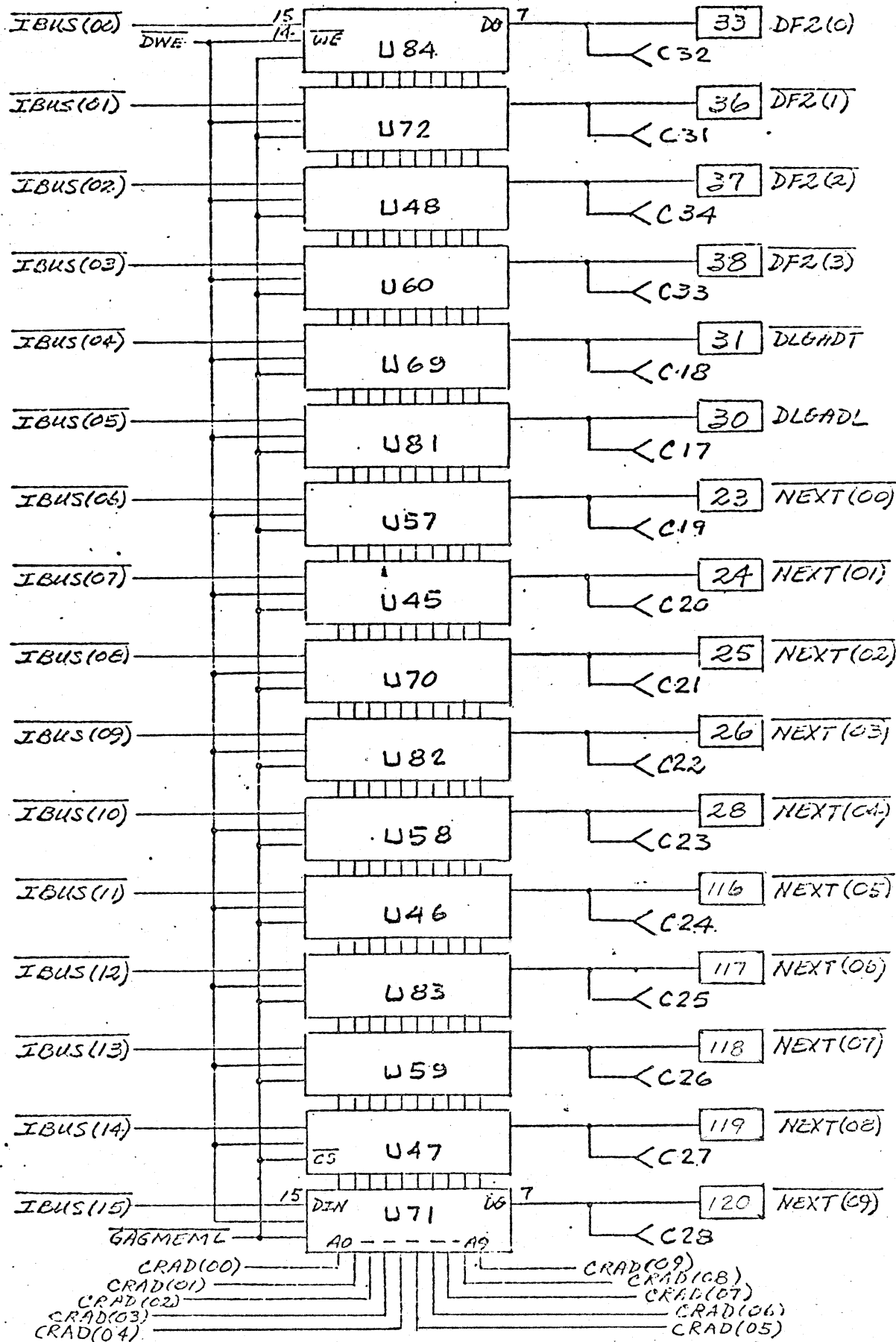
Xerox Corporation  
 El Segundo, California

**XEROX**

216643  
 Sheet 8 of

A





These drawings and specifications, and the data contained therein, are the exclusive property of Xerox Corporation and/or Rank Xerox, Ltd. issued in strict confidence and shall not, without the prior written permission of Xerox Corporation or Rank Xerox, Ltd., be reproduced, copied or used for any purpose whatsoever, except the manufacture of articles for Xerox Corporation or Rank Xerox, Ltd.

Title  
 ASSY, PRINTED WIRING-  
 CRAM  
 (EXTENDED MEMORY)

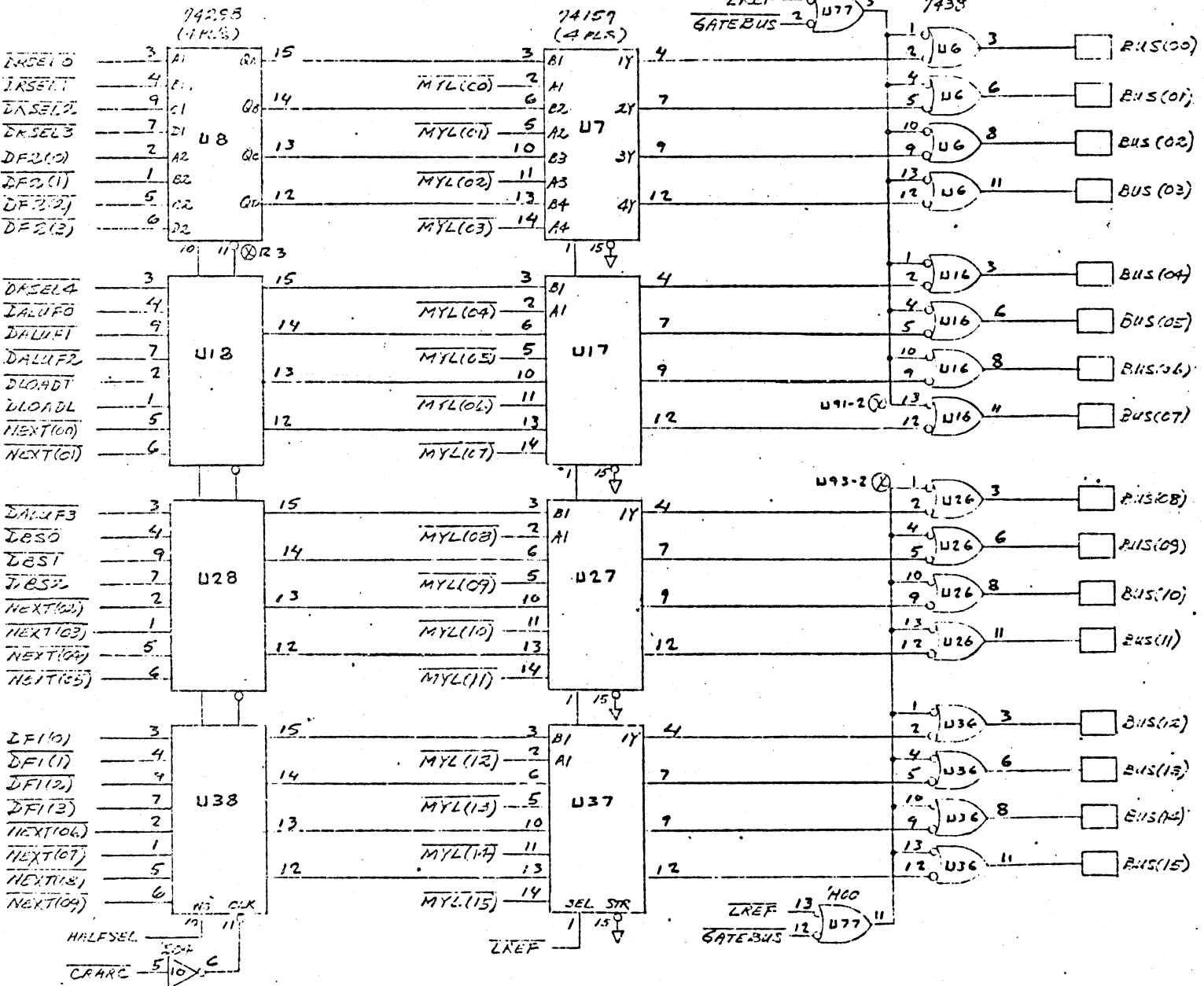
Xerox Corporation  
 El Segundo, California

**XEROX**

216643

A

Sheet 9 of



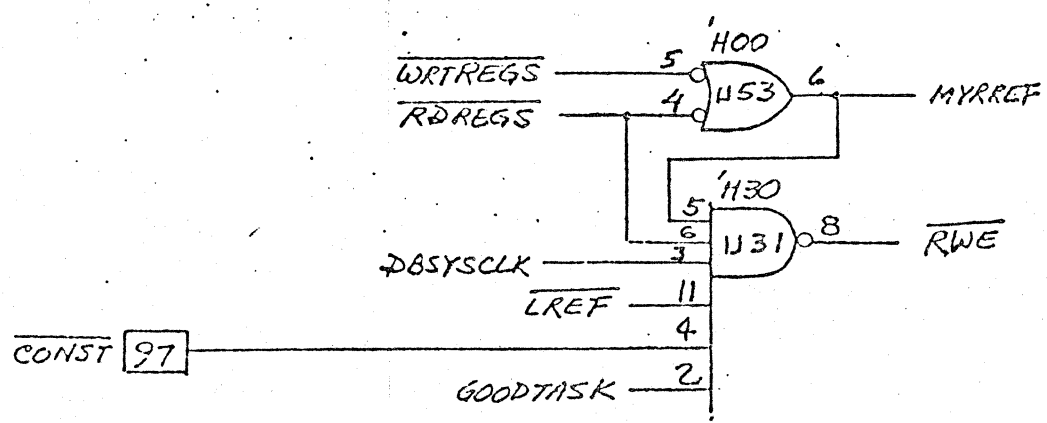
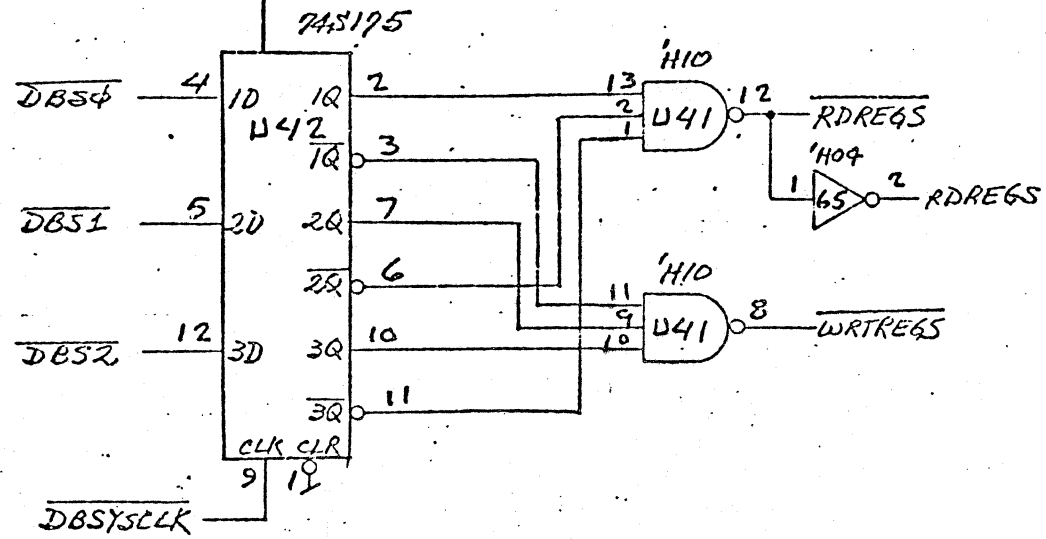
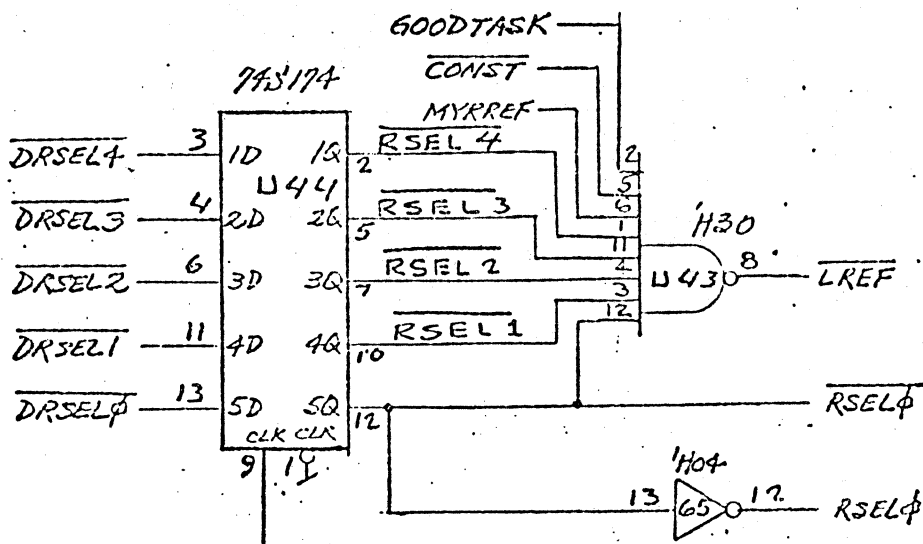
These drawings and specifications, and the data contained therein, are the exclusive property of Xerox Corporation and/or Rank Xerox, Ltd. issued in strict confidence and shall not, without the prior written permission of Xerox Corporation or Rank Xerox, Ltd., be reproduced, copied or used for any purpose whatsoever, except the manufacture of articles for Xerox Corporation or Rank Xerox, Ltd.

Title  
 ASSY, PRINTED WIRING-  
 CRAM  
 (EXTENDED MEMORY)

Xerox Corporation  
 El Segundo, California  
 216643  
 A

Sheet 10 of

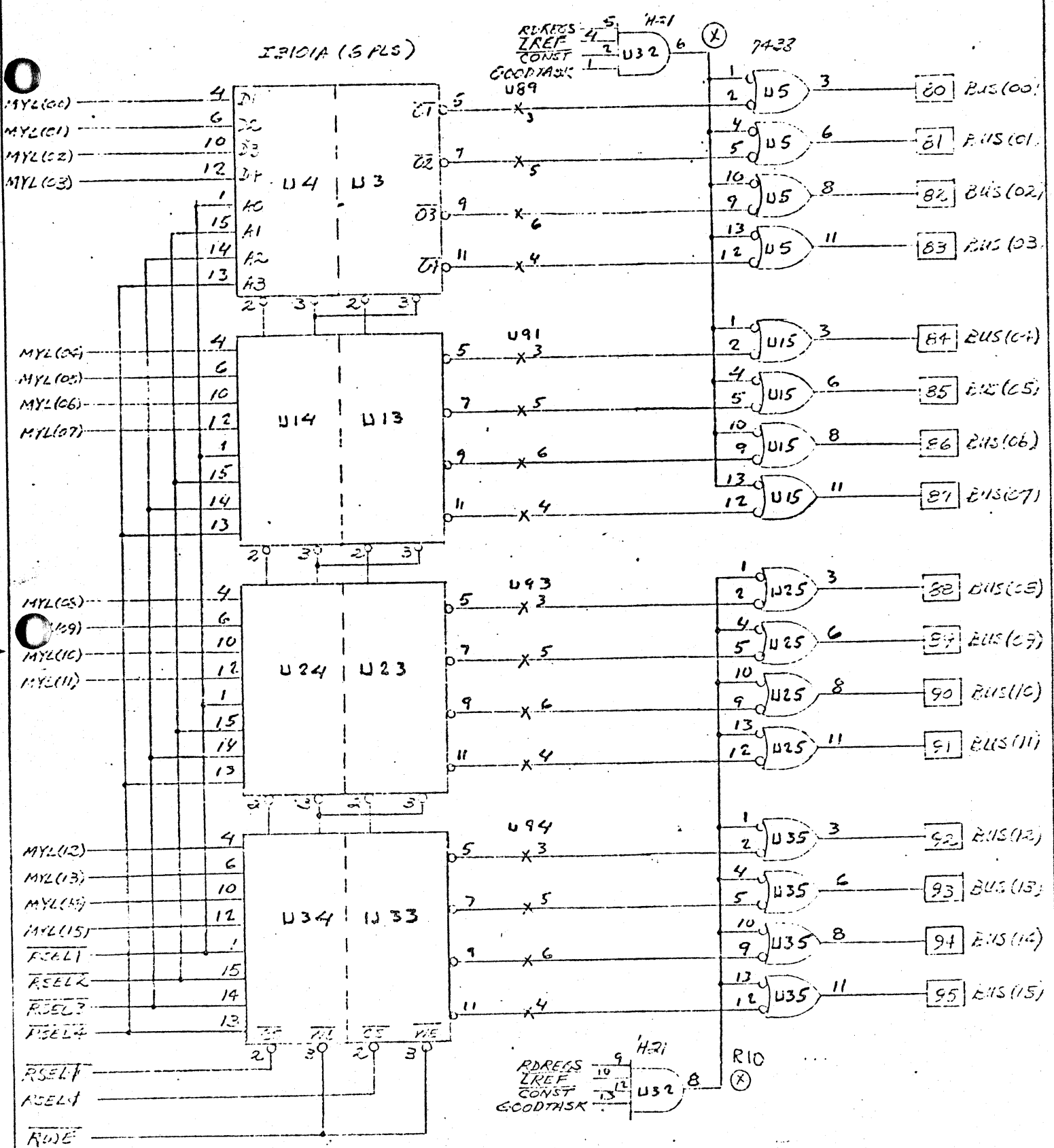
159413-73



These drawings and specifications, and the data contained therein, are the exclusive property of Xerox Corporation and/or Rank Xerox, Ltd. issued in strict confidence and shall not, without the prior written permission of Xerox Corporation or Rank Xerox, Ltd., be reproduced, copied or used for any purpose whatsoever, except the manufacture of articles for Xerox Corporation or Rank Xerox, Ltd.

Title  
 ASSY, PRINTED WIRING-  
 CRAM  
 (EXTENDED MEMORY)

Xerox Corporation  
 El Segundo, California  
 216643  
 Sheet 11 of  
**XEROX**  
 A



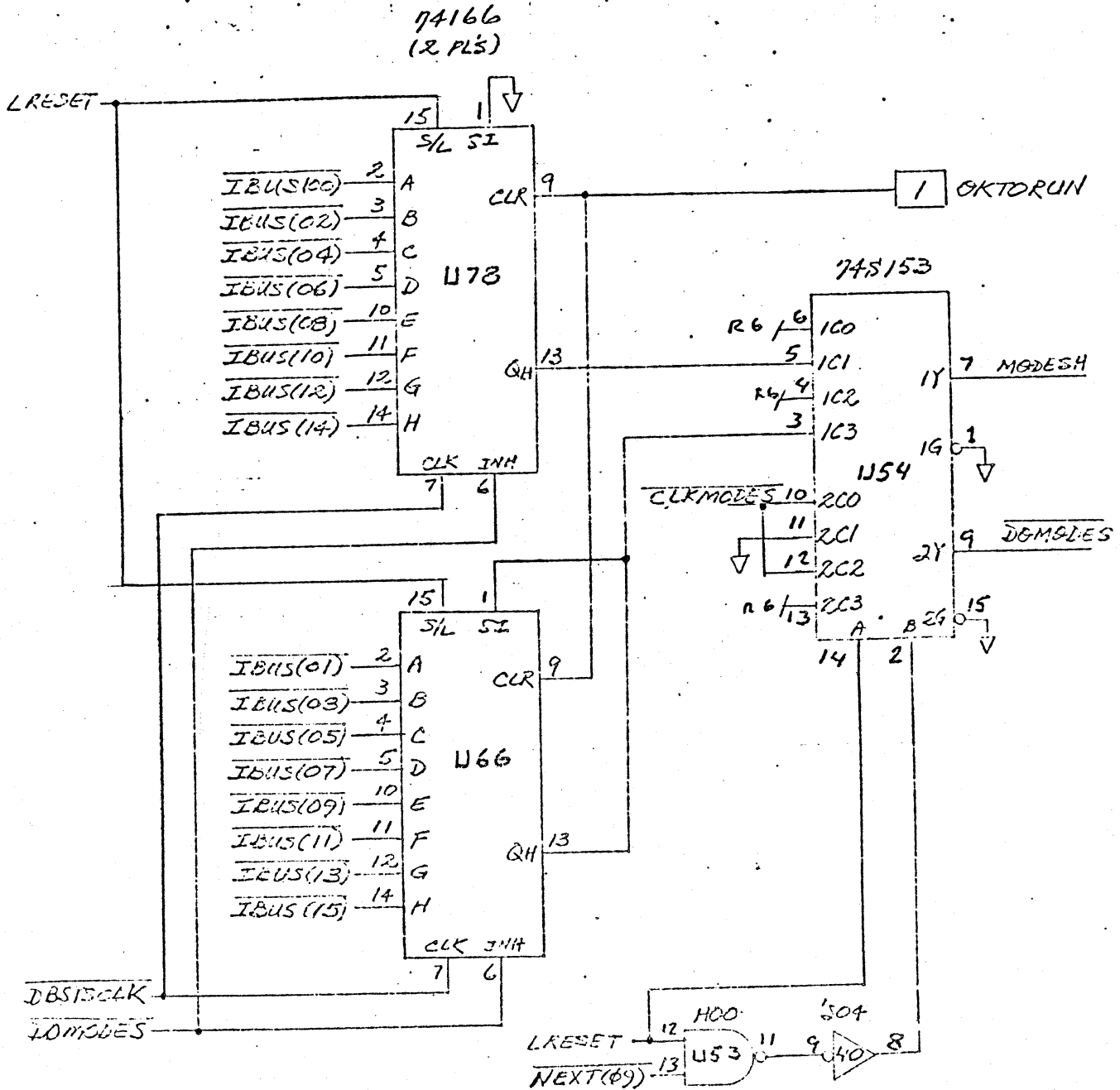
5 registers

These drawings and specifications, and the data contained therein, are the exclusive property of Xerox Corporation and/or Rank Xerox, Ltd. issued in strict confidence and shall not, without the prior written permission of Xerox Corporation or Rank Xerox, Ltd., be reproduced, copied or used for any purpose whatsoever, except the manufacture of articles for Xerox Corporation or Rank Xerox, Ltd.

Title  
 ASSY, PRINTED WIRING-  
 CRAM  
 (EXTENDED MEMORY)

Xerox Corporation  
 El Segundo, California  
 216643  
 Sheet 12 of  
 A

**XEROX**



These drawings and specifications, and the data contained therein, are the exclusive property of Xerox Corporation and/or Rank Xerox, Ltd. issued in strict confidence and shall not, without the prior written permission of Xerox Corporation or Rank Xerox, Ltd., be reproduced, copied or used for any purpose whatsoever, except the manufacture of articles for Xerox Corporation or Rank Xerox, Ltd.

Title

ASSY, PRINTED WIRING-  
CRAM  
(EXTENDED MEMORY)

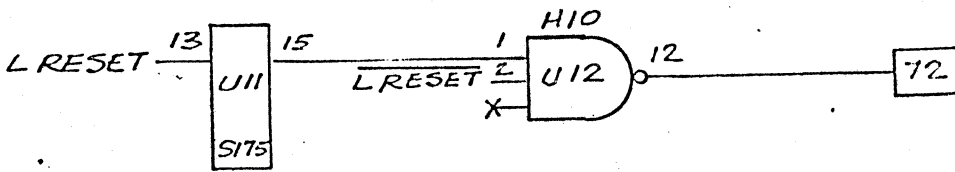
Xerox Corporation  
El Segundo, California

**XEROX**

216643

A

Sheet 13 of



These drawings and specifications, and the data contained therein, are the exclusive property of Xerox Corporation and/or Rank Xerox, Ltd. issued in strict confidence and shall not, without the prior written permission of Xerox Corporation or Rank Xerox, Ltd., be reproduced, copied or used for any purpose whatsoever, except the manufacture of articles for Xerox Corporation or Rank Xerox, Ltd.

Title

ASSY, PRINTED WIRING-  
GRAM  
(EXTENDED MEMORY)

Xerox Corporation  
El Segundo, California

**XEROX**

216643

A

Sheet

14 of